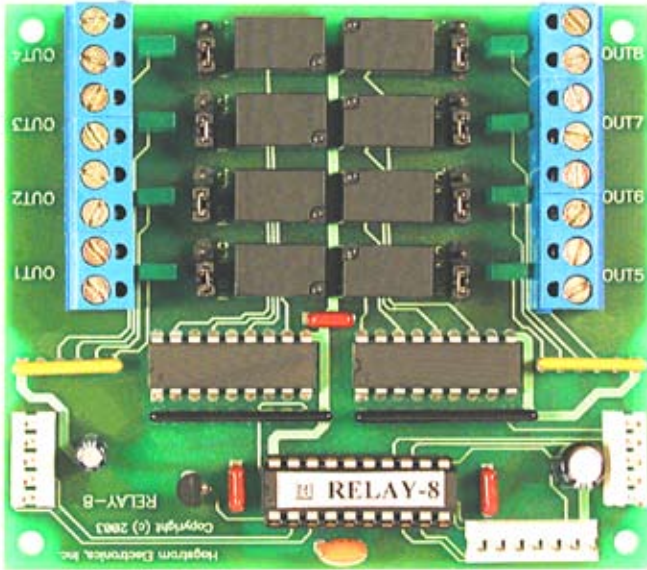


# RELAY-8

Eight Channel Relay Control Board



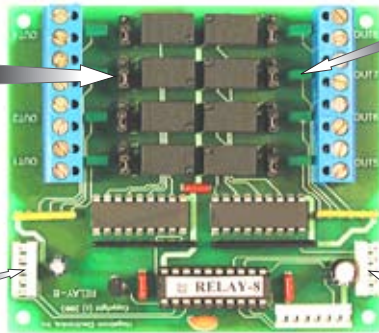
The RELAY-8 unit provides eight independent relay outputs controlled by asynchronous serial commands. Each output channel on the RELAY-8 has a pair of contacts rated at 1 Amp which can be configured for normally open or normally closed operation.

Each Relay can be jumper configured for N.O. or N.C. operation.

Each Relay has an LED to indicate the active status of the Relay.

Multiple RELAY-8 units can be "Daisy Chained" to expand the number of outputs controlled by the same serial connection.

Logic level serial control. Use directly or with one of our cables to interface to RS-232 connections.

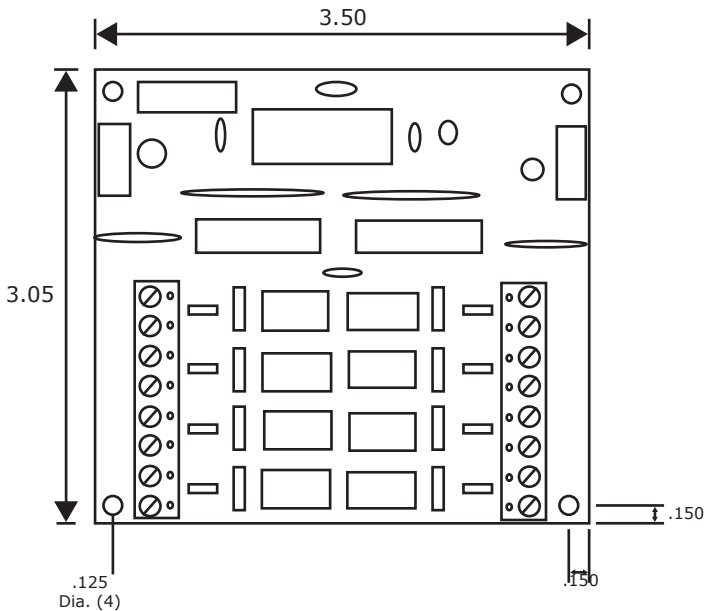


The RELAY-8 module can be used in a variety of control applications. The unit is capable of operating as a stand-alone device, with logic level serial communication from a host. For RS-232 operation, we offer a connecting cable with integrated electronics.

The RELAY-8 requires 5V DC for operation. Use our KE-PWR5/2A power supply (5V / 2A regulated DC) to provide power to the RELAY-8.

A sample program is included on a diskette for communication to the RELAY-8.

### RELAY-8 Specifications



**Note:** Dimensions are in inches.

<b>Operating Voltage</b>	5V DC Regulated +/- 5%
<b>Operating Current</b>	350 ma Maximum at 5.00 V
<b>Operating Temp.</b>	0 to 70 Degrees C
<b>Communication</b>	Serial 9600, 8, N, 1 Logic Level
<b>Relay Rated Load</b>	1 Amp, 24 VDC, .50 Amp at 125 VAC